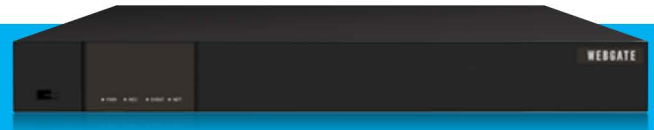




UNIVERSAL 4M DVR

UHD804F-U



UNIVERSAL | Analog | Digital | IP | 4M QHD | 4K UHD | TDM RX

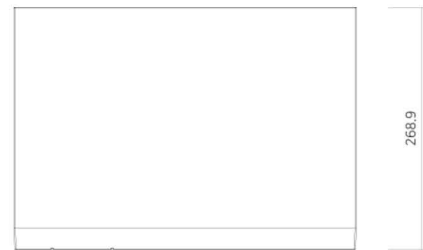
Key Features

- Support all video format
- Support Max. 8ch(2M/4M), 4ch(4K)
- Support TDM Video
- 4K UHD(HDMI) output
- 2 Internal SATA HDDs
- External storage capacity 128TB(eSATA), 256TB(NS04R)
- Real Time Streaming(RTSP)
- Service channel, Remote DVR
- VMS(Control Center), Mobile App, HTML5

Dimension



(380×268.9×45mm)



Tech Note

UNIVERSAL Support all kinds of existing video formats

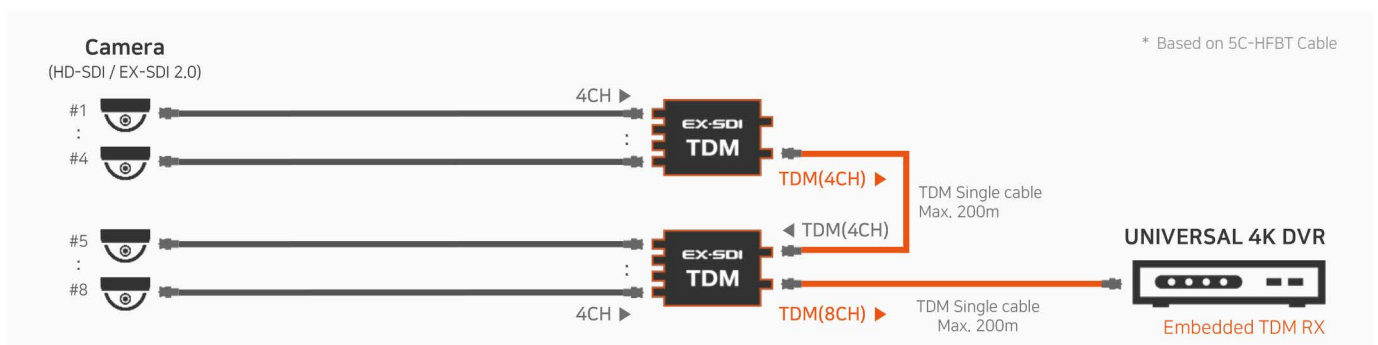
From SD to UHD, including IPC, the Universal DVR support all kinds of video formats
The Universal DVR is the optimum solution for any site, any camera

4K UHD More Vivid & Sharper with Ultra High Definition

4K UHD is perfect for large area coverage and identifying objects at great distances
DVR supports 4M QHD (2x greater than Full-HD) and 4K UHD (4x greater than Full-HD) recording

TDM(Time Division Multiplexer) Transmit 8ch through single cable

Embedded TDM RX(EX-SDI) receives max 8ch video with single cable





DVR/NVR



CAMERA



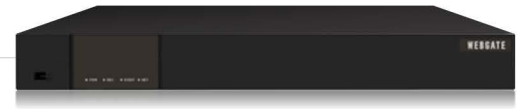
ACCESSORY



SOFTWARE

UNIVERSAL 4M DVR

UHD804F-U



| VIDEO INPUT | | |
|-------------------------|---|--|
| Video input Format | BNC | HD-SDI, EX-SDI(V1.0, V2.0, V2.1), TDM AHD, TVI, CVBS(960H, SD) |
| | IP(Ethernet) | WESP, Onvif Profile S |
| Resolution / Frame Rate | HD-SDI EX-SDI 1.0 EX-SDI 2.0 EX-SDI 2.1 | 1920×1080@30fps, 1920×1080@25fps 2560×1440@30fps, 2560×1440@25fps 3840×2160@30fps, 3840×2160@25fps |
| | EX-SDI TDM | 1920×1080@30fps, 1920×1080@25fps |
| | AHD | 1920×1080@30fps, 1920×1080@25fps 2560×1440@30fps, 2560×1440@25fps |
| | TVI | 1920×1080@30fps, 1920×1080@25fps 2560×1440@30fps, 2560×1440@25fps |
| | CVBS(960H) | 960×480@60i, 720×480@60i 960×576@50i, 720×576@50i |
| Connectors | 8ch, 75Ω BNC connector | |
| CoC | Control over Coax@AHD,TVI,All SDI | |
| VIDEO OUTPUT | | |
| Video output | Resolution | HDMI : 3840×2160, 1920×1080 VGA : 1920×1080, 1280×1024, 1024×768 800×600 BNC(SDI) : 1920×1080 BNC(CVBS) : 720×480, 720×576 |
| | Mode | HDMI/VGA Main + CVBS Spot HDMI/SDI Main + CVBS Spot HDMI Main + VGA Spot + CVBS Spot HDMI Main + SDI Spot + CVBS Spot |
| | BNC(CVBS) | 1, 4, 9 split-screen, Switching |
| | BNC(SDI) | Main : Same as HDMI output Spot : 1, 4, 9 split-screen, Switching Format : HD-SDI, EX-SDI, EX-SDI 2.0 |
| RECORDING | | |
| Compression | H.264 / JPEG | |
| Resolution | 3840×2160, 2560×1440, 1920×1080, 960×480 | |
| Rate | Max. 240fps@1920×1080, Max. 240fps@2560×1440 Max. 120fps@3840×2160 | |
| Quality | 10 levels up to 12Mbps@2M, 12Mbps@4M, 16Mbps@8M(4K) | |
| Mode | Normal/Event Record, Schedule/Event Record, Emergency Record | |
| Schedule | 24hrs / 7days | |
| PLAYBACK | | |
| Mode | Instant Playback / Search | |
| Speed | Max. 240fps@1920×1080 Max. 240fps@2560×1440 Max. 120fps@3840×2160 | |
| Search type | Date/Time, Calendar/Time-line, Event, Thumbnail(Interval/Motion), Text, Bookmark | |
| Block playback | 1day ~ 99days | |
| EVENT & ALARM | | |
| Event source | MD(Motion Detection), Sensor, Text, Video Loss | |
| Event check Schedule | 24hrs / 7days | |
| Event action | Relay, Buzzer, E-mail, FTP, Video pop-up, Camera Preset, Mobile Alarm Push | |
| MD area | 15×10 | |
| Text input | POS/ATM support, AVE VSI Pro/Hydra support | |
| SYSTEM ALARM | | |
| Alarm source | HDD fail, HDD almost full, Password fail, WRS fail, Record Fail | |
| Alarm action | Warning message, Buzzer, E-mail, Relay, Mobile Alarm Push | |
| AUDIO | | |
| Input/output | 1 RCA input / HDMI & RCA output | |
| Compression | ADPCM (32Kbps, 8KHz, 16bit sampling) | |
| Direction | Both | |

| PTZ | |
|--------------------------|---|
| Protocols | HIK-C, AHD, C1080(D1080), C1080PT-Z20, Pelco-D, Pelco-P, Samsung, Panasonic and others |
| NETWORK | |
| Interface | 1 Gigabit Ethernet (10/100/1000Mbps) |
| Type | Static IP, Dynamic IP, xDSL |
| DDNS | WNS, DynDNS, NoIP, WRS |
| Bandwidth limit | 0.01 ~ 100Mbps, unlimited |
| NTP | Server / Client / Both |
| Users | 10 Monitoring, 4 Playback |
| RTSP | Supported |
| UPnP | UPnP auto port forwarding |
| Streaming | H.264 stream, High resolution |
| | 1 additional H.264 stream, Normal resolution |
| | 1 JPEG stream, Normal resolution |
| Service Streaming | Service Channel or Remote DVR |
| SECURITY | |
| User level | 1 admin, 10 users |
| User privilege | Menu, PTZ, Relay, Playback, Power, Copy, Network MIC |
| IP filtering | Supported |
| STORAGE & BACKUP | |
| Storage devices | 2 internal SATA HDDs, 1 external eSATA Interface, Gigabit network for NS04R |
| RAID Level | External storage including NS04R(Level 1/5/10) |
| File system | Proprietary file system, Data-loss protection against power-failure |
| Capacity | Max. 128TB with eSATA, Max. 256TB with cascaded NS04R 10TB HDD Supported |
| Backup type | Multi-channel exe file, Single channel avi file, JPEG(Capture) |
| Backup device | 2 USB 2.0 drive (1 front, 1 rear) |
| S.M.A.R.T. | Temperature and Health checking |
| SERIAL & I/O | |
| Serial port | 1 RS-485 |
| Sensor input | 4 Dry-contacts |
| Relay output | 2 Relays |
| CONTROLLER | |
| Device | IR remote controller, Joystick Keyboard(option), Mouse |
| SOFTWARE | |
| HTML5 Webviewer | Monitoring / Event / PTZ / Playback for browser supporting HTML5 |
| Webviewer | Monitoring / Event / PTZ / Playback for IE |
| Mobile viewer | Monitoring / Playback / Alarm Push / PTZ / Audio / Log View with iPhone & Android |
| CMS | Control Center, Max. 1024 units |
| SDK | ActiveX(COM) SDK |
| ENVIRONMENTAL & PHYSICAL | |
| Dimension | TBD |
| Weight | TBD |
| Operating Temperature | 5°C~45°C (41°F ~ 113°F) |
| Operating Humidity | 80% below, free of condensation |
| Power | TBD |
| Power Consumption | TBD |
| Approval | KC, FCC, CE, RoHS |

* Specifications are subject to change without notice for product improvement.