



Flame Detection IP Camera

NK1080D-F1



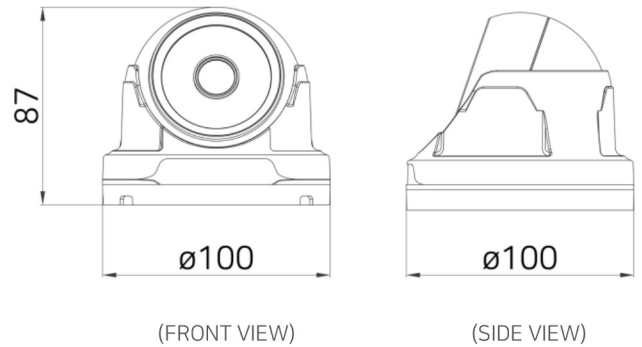
Flame Detection | SONY STARVIS | Onvif | PoE

Key Features

- Full-HD flame detection camera adopting flame wave detection technology
- Minimizing false alarm by detection flame wave with customized sensor
- Sensing wide angle up to 80 ° and long distance up to 30 meters
- Dual detection system by connecting with smoke detectors
- 2.1M SONY STARVIS sensor
- 3 Multi-Stream supported including 1920x1080 30fps
- Onvif / PoE supported
- H.264, MJPEG
- IR LED : 24pcs

Dimension

(mm)



Tech Note

Customized Sensor

Minimizing false alarm by detection flame wave with customized sensor
Optimal set-up such as flame detection sensitivity and alarm duration time according to user environment

SONY STARVIS Image Sensor

Highly sensitive SONY STARVIS CMOS Sensor provides crystal clear image in low light condition.

Self-developed SoC

Optimized SoC including Codec and high performance ISP which supports 3D-DNR, WDR and etc.
Self-developed SoC enhanced stability with low calorific value & low power consumption and it provides revolutionary response speed and minimum boot-time.

ONVIF Profile-S

Support standard protocol version , ONVIF Profile-S, which makes it compatible with 3rd party's software and system.



DVR/NVR



CAMERA



ACCESSORY



SOFTWARE

Flame Detection IP Camera

NK1080D-F1

FLAME DETECTION		
Detection Method	Detection using 1 kinds of IR Sensors	
Detection Distance / Angle	30m / 80°	
Sensitivity	Adjustable within 10 Steps	
Detection Time	3, 5, 10 sec	
Action Time	Keep On, 20, 30, 40, 50, 60 sec	
Alarm Notification	Alarm Message on video, Digital Output, E-Mail, FTP upload, Alarm Push	
CAMERA		
Sensor	1/2.8", 2.1Megapixel SONY STARVIS CMOS	
Full Resolution	1920(H) x 1080(V) = 2.1M pixels	
Scanning System	Progressive Scan	
Min. Illumination	Color	0.2Lux@50IRE, F1.3, 3100K, AGC:10
	B/W	0.0005Lux@50IRE, F1.3, 3100K, AGC:10
Lens	Filter	True Day & Night (ICR)
	Type	3.6mm Fixed Mega Pixel Lens
Camera Functions	Day & Night	AUTO / COLOR / BW / EXTERN
	WDR	LOW / MIDDLE / HIGH
	BLC	OFF / ON
	HCL	LEVEL(0~20) / COLOR
	AGC	0~10
	ACE	OFF / LOW / MIDDLE / HIGH
	DNR	OFF / LOW / MIDDLE / HIGH
	DSS	OFF / AUTO / x2 / x4 / x8 / x16 / x32
	SHARPNESS	0~10
	Mirror	Horizontal / Vertical
	White Balance	AUTO / AUTOext / PRESET / MANUAL
	Electric shutter	INDOOR / OUTDOOR / INDOOR-ANTI BLUR / OUTDOOR-ANTI BLUR / MANUAL(1/30~1/30000, 12steps)
	Privacy	ON / OFF (BOX-10 Positions)
	DE-FOG	OFF / ON (MODE, LEVEL)
OSD language	ENG	
IR LED	24pcs	
VIDEO		
Compression Type	H.264 (MPEG4 AVC) Baseline@L3.0 / MJPEG	
Resolution	1st : 1920×1080, 1280×720, 800×600, 704×480, 704×400, 640×360, 480×272, 320×184 2nd : 640×360, 480×272, 320×184 3rd : 1920×1080	
Bitrate	128Kbps ~ 5Mbps	
Frame Rate	30fps@1080p	
Streaming	1st : H.264 Stream up to 1080p 30fps 2nd : H.264 nHD Stream, 30fps 3rd : JPEG 1080p Stream, 1fps	
NETWORK & SOFTWARE		
Network & Software	Interface	1 Fast Ethernet RJ-45 port (10/100Mbps)
	Network Type	Fixed IP, DHCP
	DDNS	Not Supported
	Port	HTTP : 80 RTSP : 554
	Protocol	HTTP, RTSP/RTP, Onvif, TCP/IP, UDP, ARP, ICMP, DHCP
	Onvif	Support
	Simultaneous Users	Max. 3 users
	DST	TBD
	NTP	Support
	IP Address Filtering	TBD
	Web Browser (Recommended)	IE 11
	Web Monitoring	IE : ActiveX based / Other browser : JPEG based
	Web Configuration	Multi-platform web config / Desktop (Mac, Linux, Windows)
	NVR	NVRs supporting Onvif
PC CMS Software	Control Center Standard (bundle), Control Center Pro	
Relay Server	WinRDS	
ENVIRONMENTAL & PHYSICAL		
Power Source	DC 12V ± 10%, PoE(36V~57V / option)	
Power Consumption	IR OFF : 150mA / IR ON : 350mA (MAX)	
Operation Temp. / Humidity	-10 °C ~ 50 °C / 0%RH ~ 80%RH	
Certification	KC	

* Specifications are subject to change without notice for product improvement.