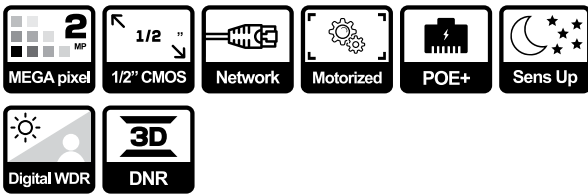


KPN-500

NETWORK

1/2" IP High sensitivity IR bullet Camera

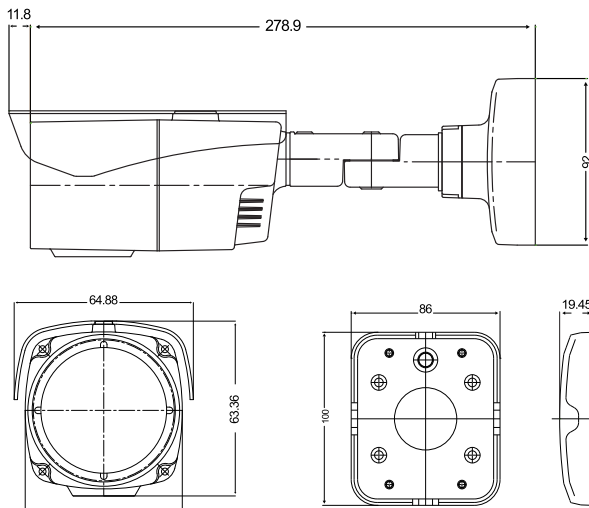


Key Features

- 1/1.9" 2.38MegaPixel SONY CMOS Sensor
- 3.6~10mm Motorized Lens
- Triple streaming simultaneously H.264
- MJPEG(Independent frame rate and bandwidth control, VBR/CBR mode)
- 3D DNR (Digital Noise Reduction)
- WDR(Wide Dynamic Range)
- Minimum Illuminagtion 0Lux(IR LED On) : 35m
- 40pcs IR bulit in with ICR mdechanism
- IP66 Weatherproff hosuing
- DC12V/ IEEE802.3af PoE
- Audiutin/out(option)
- SD camera momory slot
- Cable through BRK
- Built-in easy fit with an installation junction box

Dimension

Unit : mm



Camera Specification

Image Sensor	SONY 1.19" 2.38MP RGB Bayer Array CMOS sensor
Number of Effective Pixels	1920(H)x1080(V) approx 2.07MP
Min. Illumination	Color Mode : 0.15lx at 50IRE/30fps B/W Mode : 0.09 lx at 50IRE/30fps
Scanning mode	Progressive Scan
S/N Ratio	54dB
Wide Dynamic Range	Digital WDR (ATR-EX)
Day and Night mode	Automatic, Day, Night
Noise Reduction	2DNR, 3DNR
Auto Exposure mode	Automatic (Priority; Frame rate/Low noise), Manual
Shutter Speed Control	Automatic : Min 1/10,000 sec ~ Mac 1/60 sec Manual : Min 1/10,000 sec ~ Mac 1/10 sec
Gain Control	Automatic : Min 1.2dB ~ Mac 54dB Manual : Min 1.2dB ~ Max 54dB, Default 1.2dB
Auto White Balance mode	ATW-Indoor/Outdoor, Shade, Clear sky, Flurescent light, Flame, Manual
Auto Focus	One Push, Manual
Optical Zoom	4.2x/ 10x
Optioncal Zoom speed	1~6 Steps
Digital Zoom	16x
OSD	On/Off
Back Light Compensation	On/Off
High Light Compensation	On/Off
Image Effect	Mirror, Flip
Privay Mask	Max 8 Area selection
Tamper	On/Off
Video Motion Detection	Max 4 Area selection
Corridor Format	90°/270°
Defog	On/Off
Lens Distortion Compensation	On/Off

Network Specification

Video Compression	H.264(High, Main, Base line prfile), MJPEG
Video Resolution	2048x1536(QXGA), 1920x109(Full HD), 1280x1024(SXGA) 1280x720(HD), 704x480(4CIF/NT), 704x576(4CIF/PAL) 640x480(VGA, 352x288(CIF), 320x240(QVGA)
Video Frame Rate	Upto 30fps@2048x1536p
Video Streaming	Simultaneously H.264 and MJPEGE(Triple Streaming) Independent Frame Rate and Bandwidth control, VBR/CBR
Audio Streaming	Two way (G.711)
FTP Uploading	MJPEG still image
Event In	Onboot/Trigger/Netwrok Loss/Tampering/Motion
Event Out Notification	E-mail, FTP
Login Authority	Administrator, Operator, Guest
Event Buffering	FTP: Pre/Post Event time : 0~30sec, FPS: 1~2fps
Manual Trigger	StillImage Capture
Security	Multi User Authority, IP Filtering, HTTPS
Network Time Sync	Synchrozie Computer/NTP server, Manual
Software Reset	Restart, Reset, Factory Default
Auto Recovery	Backup, Restore
Remote Upgrade	Using Web Browser
Protocols	TCP/IP, UDP, IPv4/v6, HTTP, HTTPS, FTP, UpnP RTP, RTSP, RTCP, DHCP, ARP, Zeroconf
Client Software	Built-in Web, ONVIF compatible 3rd party VMS
Max. User Connection	10users
SDK Support	AP

Others

Ethernet Tx/Rx	RJ-45(10/100Base-T)
IR LED control	On/Off
Day&Night control	IR cut filter exchange
Iris control	DC-Iris
Alarm control (optiion)	Alarm-in 1/Alarm-out
SD card	SDHC/SDXC: 2-64GB
Audio	Line-in/Line-Out
Focus control	One-Push, Automatic
Operating Humidity	0~90% (non-condensing)
Operating Temperature	-10°C~50°C
Power Supply	DC12V/IEEE802.3af PoE
Power consumption	2W/ 6W(IR LED On), 600mA max
Weight	Approx 1.2kg