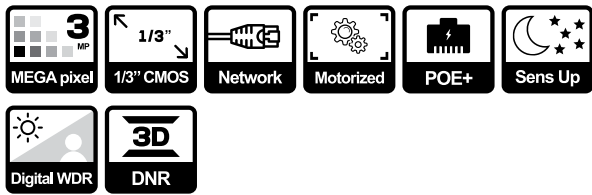


KPN-300D

NETWORK

1/3" 3MP IP Dome Camera

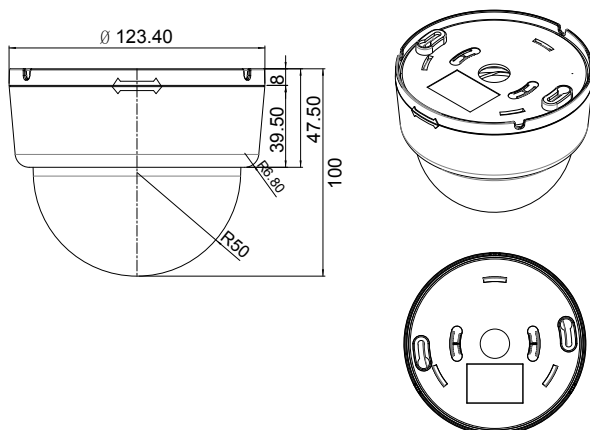


Key Features

- SONY 1/2.8" 3.23Megapixel CMOS Sensor
- 2.8~12mm Motorized Lens
- Triple streaming simultaneously H.264
- MJPEG(Independent Frame rate and bandwidth control, VBR/CBR mode)
- 3D DNR(Digital Noise Reduction)
- WDR(Wide Dynamic Range)
- Minimum Illumination 0Lux(IR LED On) : 15m
- DC12V / IEEE802.3af PoE
- Audio In/Out(Optional)
- SD Camera Memory Slot

Dimension

Unit : mm



Camera Specification

Image Sensor	SONY 1/2.8" 3.23 Megapixel RGB Bayer Array CMOS Sensor
Number of Effective Pixels	2048(H) x 1536(V) approx. 3.15M pixels
Min. Illumination	Color Mode: 0.15 lx at 50IRE/30fps B/W Mode: 0.09 lx at 50IRE/30fps
Scanning Mode	Progressive Scan
S/N Ratio	51dB
Wide Dynamic Range	Digital WDR (ATR-EX)
Day and Night Mode	Automatic, Day, Night
Noise Reduction	2D-NR, 3D-NR
Auto Exposure Mode	Automatic (Priority: Frame rate/Low noise), Manual
Shutter Speed Control	Automatic: Min. 1/10,000 sec ~ Max. 1/60 sec Manual: Min. 1/10,000 sec ~ Max. 1/10 sec
Gain Control	Automatic: Min. 1.2dB ~ Max. 54dB Manual: Min. 1.2dB ~ Max. 54dB, Default 1.2dB
Auto White Balance Mode	ATW-Indoor/Outdoor, Shade, Clear sky, Fluorescent light, Light bulb, Flame, Manual
Auto Focus	One Push, Manual, (Automatic)
Optical Zoom	Motorized 4.2x
Optical Zoom Speed	1~6 Steps
Digital Zoom	16x
OSD	On/Off
Back Light Compensation	On/Off
High Light Compensation	On/Off
Image Effect	Mirror, Flip
Privacy Mask	Max.8 Area Selection
Tamper	On/Off
Video Motion Detection	Max.4 Area Selection
Corridor Format	90°/270°
Defog	On/Off
Lens Distortion Compensation	On/Off

Network Specification

Video Compression	H.264(High, Main, Base line profile), MJPEG
Video Resolution	2048x1536(QXGA), 1920x1080(Full-HD), 1280x1024(SXGA), 1280x720(HD), 704x480(4CIF/NT), 704x576(4CIF/PAL), 640x480(VGA), 352x288(CIF), 320x240(QVGA)
Video Frame Rate	Up to 30fps@2048x1536p
Video Streaming	Simultaneously H.264 and MJPEG (Triple Streaming) Independent Frame Rate and Bandwidth Control, VBR/CBR Mode
Audio Streaming	Two way(G.711)
FTP Uploading	MJPEG Still Image
Event In	Onboot/Trigger/Network Loss/Tampering/Motion
Event Out Notification	E-mail, FTP
Login Authority	Administrator, Operator, Guest
Event Buffering	FTP : Pre/Post Event Time: 0~30sec, FPS: 1~2 fps
Manual Trigger	Still Image Capture
Security	Multi User Authority, IP Filtering, HTTPS
Network Time Sync	Synchronize Computer/NTP Server, Manual
Software Reset	Restart, Reset, Factory Default
Auto Recovery	Backup, Restore
Remote Upgrade	Using Web Browser
Protocols	TCP/IP, UDP, IPv4/v6, HTTP, HTTPS, FTP, UPnP, RTP, RTSP, RTCP, DHCP, ARP, Zeroconf
Client Software	Built-In Web, ONVIF Compatible 3rd Party VMS
Max. User Connection	10 Users
SDK Support	API, ONVIF Profile S Compliant

Others

Ethernet Tx/Rx	RJ-45(10/100Base-T)
IR_LED Control	IR_LED Control On/Off
Day & Night Control	IR_Cut_Filter Exchange
Iris Control	DC-Iris
Alarm Control	Alarm-In 1/Alarm-Out 1(Optional)
SD Card	SDHC/SDXC: 2 ~ 64GB(Optional)
Audio	Line-In/Line-Out
Zoom Control	Max. 4.2x
Focus Control	One-Push, Automatic
Operating Humidity	0~90% (non-condensing)
Operating Temperature	-20 °C ~ +50 °C
Power Supply	DC12V / IEEE802.3af PoE
Power Consumption	2W(without IR_LED) / 6.5W(IR_LED On) 600mA Max
Weight	Approx. 0.4kg