

KPN-1001

EXSDI

1/3" High sensitivity EXSDI Box Camera



Key Features

- 1/2.8" 2MegaPixel SONY CMOS Sensor
- C/CS Mount Lens(Lens sold separately)
- Built in moving mount
- D-WDR
- 3D DNR(Digital Noise Reduction)
- Digital Image Stabilization
- Built in ICR Mechanism(True Day&Night)
- DC12V
- 360° back focusing adjustment
- Video Out : EX-SDI 1.0 & 2.0

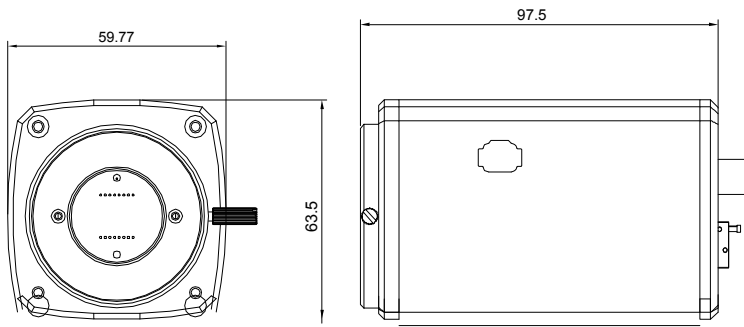
Specification

Image Sensor	1/3" 2.13Mega pixel SONY CMOS Sensor
Total Pixels	1,952(H) x 1,113(V) = 2.17M Pixels
Active Pixels	1,937(H) x 1,097(V) = 2.12M Pixels
Scanning System	Progressive Scan
Sync. System	Internal
Resolution	1080p/60(50)fps, 1080i60(50)fps, 1080p/30(25)fps,
Min. Illumination	Color(1/30s) : 0.01 lux, BW(1/30s) : 0.002 lux Color DSS(1/1s): 0.001 lux, BW DSS(1/1s) : 0.0002 lux
Video Output	LVDS(BT1120), EX-SDI 1.0, EX-SDI 2.0
S/N Ratio	more than 90dB (AGC off)
Lens Type	Motorized, V/F, Fixed
Min. Distance	0.1 / 1.5 / 3.0 / 5.0 / 10.0 m
Digital Zoom	Off / MAX x2 ~ x32
Exposure	AUTO / IRIS.P / SHUT.P / MANUAL
Gain Control(ACG)	0 ~ 10 steps
Shutter Speed	1/30(25) ~ 1/60,000 sec
Iris	0 ~ 20 steps
Digital Slow Shutter(DSS)	Off / x2 / x4 / x8 / x16 / x32 / (x64 : 60 or 50 fps mode only)
Brightness	0 ~ 20 steps
WDR/BLC	OFF / WDR / BLC
Day&Night	Auto / Day / Night / Ext-in
White Balance	Auto / One Push / Manual / Indoor / Outdoor / Auto-Ext
HLC	Off / On / Night Only
DNR	Auto / Off / Low / Middle / High
Mirror	Off / H / V / H&V
Sharpness	0 ~ 10 steps
ACE	Off / Low / Middle / High
Defog	Off / On(Auto / Manual)
Privacy Mask	Max. 24 Areas
Motion Detection	Max. 3 Areas
Defect Detection	Off / On
System	NTSC / PAL
Communication	Baud Rate: 2400 / 4800 / 9600 / 19200 / 38400 / 57600 / 115200 Protocol: Pelco-D / Pelco-P / Pelco-C Update
Language	English / Simplified Chinese / Traditional Chinese / Japanese
Power Source	9V to 15V DC
Power Consumption	180mA
Power Input	Connector
Video Output	Connector
Storage Temperature	-10°C~ +50°C (Humidity: 0%RH ~ 90%RH)
Operating Temperature	-10°C ~ +50°C (Humidity: 0%RH ~ 90%RH)
Weight	Approx. 0.4kg

****Pelco C(Coaxitron) allows camera adjustments(zoom/focus & OSDsetting)to be made remotely through a Pelco C equipped DVR channel.**

Dimension

Unit : mm



360° back focusing adjustment