

HPX-M30HN

Explosionproof IR PTZ

Explosion-proof High sensitivity IR PTZ

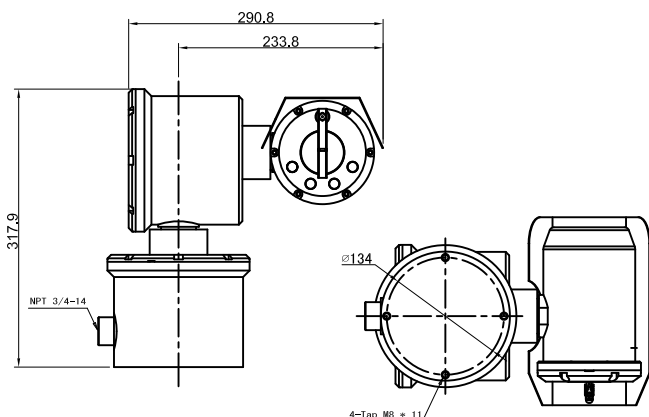


Key Features

- Optical 30x(f=4.3 to 129mm), Digital 12x
- Cable Entry: NPT 3/4"-14
- Built-in Fan/Heater & Temp Sensor
- Built in High-Power IR LED & Condenser Lense
- Tempered Glass & Basic Mounting the Wiper
- Washer pump interlock function
- Auto coordinate compensation funtion
- SUS316 Stainless Steel Housing
- Operating Temperature : -40°C ~ +60°C
- Ex Grade : II 2 GD, Ex db IIC T6 Gb, IP66/68
Ex tb IIIC T85°C Db
- Certificate : IECEx, ATEX, KCs, CE, FCC, KC
- Video output : HDSDI, CVBS
AHD2.0 (option)
IP(option)

Dimension

Unit : mm



Specification

Image Sensor	1/2.8" 2.13 Megapixels Exmor-R CMOS
Pixels	2130K Pixels
Resolution	1080p@60/30fps, 1080i@60fps, 720p@60fps
Sync System	Internal
Camera illumination(Min)	0.0008 lx 1/4s(IR On: 0 lx)
Recommended illumination	100 to 100,000 lx
S/N Ratio	>50dB
Video Output	HD-SDI, CVBS 75ohm / AHD2.0(option)
Zoom Ratio	Optical 30x(f = 4.3 to 129mm), Digital 12x
Min Working Distance	10mm(Wide End) to 1200mm(Tele End)
Angle of View (H)	63.7° (Wide End) to 2.3° (Tele End)
Camera Movement	Pan: 0° ~360° Endless Rotation(0.1° ~80° /s) Tilt: 0° ~180° Rotation(0.1° ~ 80° /s)
Preset Accuracy	±0.2°
Housing Material	SUS316 Stainless Steel
Dimension	297(W) X 317(H) 15Kg
Power	AC24V 6A 50/60Hz Max 72W
OperatingTemp	-40~+60°C(Humidity Upto90%RH, Built in Fan, Heater)

Funtions

Day & Night	Auto / Day / Night
Back Light Compensation	On/Off
White Balance	AUTO, ATW, Indoor, Outdoor, One push WB, Manual WB
Noise Reduction	On/Off(Level 5 to 1/ Off, 6 steps)
Gain Control	Auto/Manual(0~50dB, 0~28Steps) Max. Gain Limit(10.7~50dB, 6~28Steps)
High Resolution	On/Off
Image Stabilizer	On/Off
Digital Zoom	On/Off
High Light Correction	Off/Low /Mid/High
Def og	On/Of f
Wide Dynamic Range	On/Off
Privacy Zone Masking	Off/On(8 Programmable Zone)
Motion Detection	On/Off
Live ZoomPIP	On/Off
Motion Alarm	4 Alarms
IR Lighting	Turns on IR LED Automatically at Night(ICR On) mode
Night Visibility Distance	More than 100M
PTZ Control	RS-485/RS-422/IP Network (255 Preset, 8Tours, 8 Scans, 16 Areas, 4 Alarms, 8 Groups)
Audio	Aux 2Ch(NO/NC)

Network (Option)

Ethernet	RJ-45 For 10/100 Base-T
IP Protocols	IPv4/v6 HTTP, HTTPS, FTP, TCP, RTSP, RTP, DNS, DynDNS, NTP, QoS Layer 3, Diffserv, ICMP, IGMP, UPNPTM, SSL, TLS
Video Compression	H.264 / MPEG / MPEG-4
Audio	G.711

Accessaries (option)



Wall bracket



Pole bracket



Cable gland