



DVR



CAMERA



ACCESSORY



SOFTWARE

Digital HD DVR

HDC442F-D



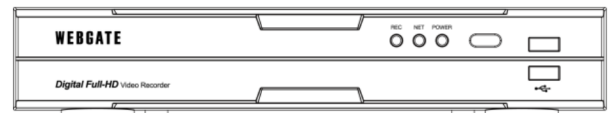
EX-SDI 2.1 | TDM RX | IP | 4M QHD | CoC

Key Features

- Support all video format (HD-SDI, EX-SDI V1.0, V2.0, V2.1, EX-SDI TDM 1.0)
- Support IP Camera(Onvif Profile-S)
- Support TDM video
- Support max. 4M QHD video input
- Support CoC
- Support 10TB HDD
- Real Time Streaming(RTSP)
- Service channel, Remote DVR
- VMS(Control Center), Mobile App, HTML5

Dimension

(260×241×45mm)



<Front View>

TBD

<Rear View>

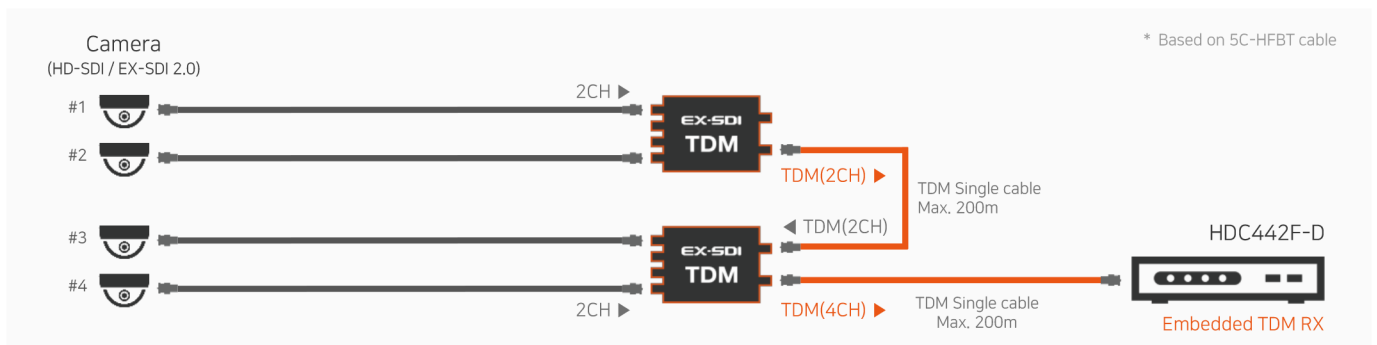
Tech Note

Remote DVR Remote connection to DVR over the network

- Remote connection to DVR over the network to share HDMI screen of DVR directly to PC or Smartphone
- Dedicated VMS can be installed on PC(Control Center) or Smartphone(Webeye) to manage video and control device remotely
- CCTV video as well as OSD menu of DVR is shared so user can control them anytime and anywhere
- Diagnose of setup error and service supports are possible without visiting the installation site, which can lead to time and cost saving along with customer's satisfaction

TDM(Time Division Multiplexer) Transmit 8ch through single cable

Embedded TDM RX(EX-SDI) receives max. 8ch video with single cable (4ch for HDC442F-D)





DVR



CAMERA



ACCESSORY



SOFTWARE

Digital HD DVR

HDC442F-D



VIDEO INPUT		
Video input Format	BNC	HD-SDI, EX-SDI(1.0, 2.0, 2.1), EX-SDI TDM 1.0
	IP	WESP, Onvif Profile-S
Resolution / Frame Rate	HD-SDI	1920×1080@30fps 2560×1440@30fps
	EX-SDI 1.0 EX-SDI 2.0 EX-SDI 2.1	
	EX-SDI TDM	1920×1080@30fps
	IP	1920×1080 / 2048×1536
Connectors	4ch, 75Ω BNC connector	
CoC	4ch, Control over Coax	

VIDEO OUTPUT		
Video output	HDMI / VGA Duplicate Mode	1, 4 split-screen
		HDMI : 1920×1080 VGA : 1920×1080 User defined display / Alarm pop-up / Sequential switching
	VGA Spot Mode	Not Supported

RECORDING	
Compression	H.264 / JPEG
Resolution	Same as input resolution (1920×1080, 2560×1440)
Rate	Max. 120fps@1920x1080, 2560x1440
Quality	10 levels up to 8Mbps@1920x1080, 12Mbps@2560x1440
Mode	Normal/Event, Schedule/Event, Emergency
Schedule	24hrs / 7days

PLAYBACK	
Mode	Instant Playback / Search
Speed	Max. 120fps@1920x1080, 2560x1440
Search type	Date/Time, Calendar/Time-line, Event, Thumbnail(Interval/Motion), Text, Bookmark
Block playback	24hours ~ 99days

EVENT & ALARM	
Event source	MD(Motion Detection), Sensor, Text, Video Loss
Event check Schedule	24hrs / 7days
Event action	Relay, Buzzer, E-mail, FTP, Video pop-up, Camera Preset, Mobile Alarm Push
MD area	15×10
Text input	POS/ATM support, AVE VSI Pro/Hydra support

SYSTEM ALARM	
Alarm source	HDD fail, HDD almost full, Password fail, WRS fail, Record fail
Alarm action	Warning message, Buzzer, E-mail, Mobile Alarm Push

PTZ	
Protocols	Support various protocols including C1080(D1080), C1080PT-Z20, Pelco-D, Pelco-P, Samsung, Panasonic and others

Network	
Interface	1 Gigabit Ethernet (10/100/1000Mbps)
Type	Static IP, Dynamic IP, xDSL
DDNS	WNS, DynDNS, NoIP, WRS
Bandwidth limit	0.01 ~ 100mbps, unlimited
NTP	Server / Client / Both

Users	10 Monitoring, 4 Playback, 1 Configuration tool
RTSP	Supported
UPnP	UPnP auto port forwarding
Streaming	H.264 stream, High resolution
	1 additional H.264 stream, Normal resolution
	1 JPEG stream, Normal resolution for e-mail or mobile
Service Streaming	Service Channel or Remote DVR

SECURITY	
User level	1 admin, 10 users
User privilege	Playback, Menu, Copy, PTZ, Camera Setup, Relay, Power, Network Mic.
IP filtering	Supported

STORAGE & BACKUP	
Storage devices	1 internal SATA HDDs, Gigabit network for NS04R
RAID Level	External storage including NS04R (Level 1/5/10)
File system	Proprietary file system, Data-loss protection against power-failure
Capacity	10TB HDD Supported Max. 256TB with cascaded NS04R
Backup type	EXE : multi channel with log AVI : single channel JPEG : single channel capture
Backup device	2 USB 2.0 drive (2 front)
S.M.A.R.T.	Temperature and Health checking

SERIAL & I/O	
Serial port	1 RS-485
Sensor Input	Sensor of IP camera

CONTROLLER	
Device	Mouse, IR remote controller (option), Joystick Keyboard (option)

SOFTWARE	
HTML5 Webviewer	Plug-in free HTML5 Webviewer
	- Support PC & MacOS
	- Support Chrome, Firefox & Safari
	- Monitoring/Playback/PTZ
Webviewer	ActiveX Webviewer
	- Monitoring/Playback/Event/PTZ - Support Full screen mode

Mobile viewer	Monitoring / Playback / Alarm Push / PTZ / Audio / Log View with iPhone & Android
CMS	Control Center, Max. 1024 units
SDK	ActiveX(COM) SDK

ENVIRONMENTAL & PHYSICAL	
Dimension	260(W) × 241(D) × 45(H) mm
Weight	1.2 Kg (No HDD, TBD)
Operating Temperature	5°C~45°C (41°F ~ 113°F)
Operating Humidity	80% below, free of condensation
Power	DC 12V / 3A (TBD)
Power Consumption	Max. 17W, Typical 13W(No HDD, TBD)
Approval	KC, FCC, CE, RoHS

* Specifications are subject to change without notice for product improvement.