

# FDS-M30HN

Stainless IR PTZ

High sensitivity Stainless Motorized IR PTZ

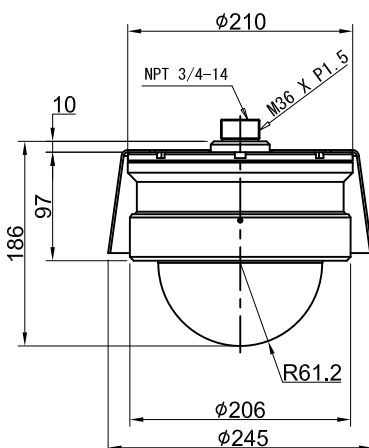


## Key Features

- Optical 30x(f=4.3 to 129mm), Digital 12x
- Motorized Pan/Tilt
- SUS316 Stainless Steel Housing
- Operating Temperature : -40°C ~ +60°C
- Multi-Protocol Receiver
- Cable Entry: NPT 3/4"
- Built-in Fan/Heater & Temp Sensor
- Built in High-Power IR LED & Condenser Lense
- Anti-Diffuse Reflection Structure
- UV and Solar Light Resistant Clear Dome  
Inside: Anti-Fog coated,  
Outside: Hydrophilic coated
- Certificate : CE, FCC, KC, IP66/68
- Video output : HDSDI, CVBS  
AHD2.0 (option)  
IP(option)

## Dimension

Unit : mm



## Specification

|                          |  |
|--------------------------|--|
| Image Sensor             | 1/2.8" 2.13 Megapixels Exmor-R CMOS  |
| Pixels                   | 2130K Pixels   |
| Resolution               | 1080p@60/30fps, 1080i@60fps, 720p@60fps  |
| Sync System              | Internal   |
| Camera illumination(Min) | 0.0008 lx 1/4s(IR On: 0 lx)  |
| Recommended illumination | 100 to 100,000 lx  |
| S/N Ratio                | >50dB  |
| Video Output             | HD-SDI, CVBS 75ohm / AHD2.0(option)  |
| Zoom Ratio               | Optical 30x(f = 4.3 to 129mm), Digital 12x                                     |
| Min Working Distance     | 10mm(Wide End) to 1200mm(Tele End)   |
| Angle of View (H)        | 63.7° (Wide End) to 2.3° (Tele End)  |
| Camera Movement          | PPan: 0° ~350° Rotation(0.1°~30° /s)<br>Tilt: 0° ~180° Rotation(0.1° ~180° /s) |
| Preset Accuracy          | ±0.1°  |
| Housing Material         | SUS316 Stainless Steel   |
| Dimension                | 210(Ø) X 186(H) 8Kg  |
| Power                    | AC24V 3A 50/60Hz Max 53W   |
| OperatingTemp            | -40~+60°C(Humidity Upto 90%RH, Built inFan,Heater)                             |

## Funtions

|                           |   |
|---------------------------|---|
| Day & Night               | Auto / Day / Night  |
| Back Light Compensation   | On/Off  |
| White Balance             | AUTO, ATW, Indoor, Outdoor, One push WB, Manual WB                                      |
| Noise Reduction           | On/Off(Level 5 to 1/ Off, 6 steps)  |
| Gain Control              | Auto/Manual(0~50dB, 0~28Steps)<br>Max. Gain Limit(10.7~50dB, 6~28Steps)                 |
| High Resolution           | On/Off  |
| Image Stabilizer          | On/Off  |
| Digital Zoom              | On/Off  |
| High Light Correction     | Off/Low /Mid/High   |
| Def og                    | On/Of f   |
| Wide Dynamic Range        | On/Off  |
| Privacy Zone Masking      | Off/On(8 Programmable Zone)   |
| Motion Detection          | On/Off  |
| Live ZoomPIP              | On/Off  |
| Motion Alarm              | 4 Alarms  |
| IR Lighting               | Turns on IR LED Automatically at Night(ICR On) mode                                     |
| Night Visibility Distance | More than 150M  |
| PTZ Control               | RS-485/RS-422/IP Network<br>(255 Preset, 8Tours, 8 Scans, 16 Areas, 4 Alarms, 8 Groups) |
| Audio                     | Aux 2Ch(NO/NC)  |

## Network (Option)

|              |   |
|--------------|---|
| Ethernet     | RJ-45 For 10/100 Base-T   |
| IP Protocols | IPv4/v6 HTTP, HTTPS, FTP, TCP, RTSP, RTP, DNS, DynDNS, NTP, QoS Layer 3, Diffserv, ICMP, IGMP, UPNPTM, SSL, TLS |

## Accessory (Option)



Sun shield



Wall bracket



Pole bracket