

Anti-bug IR Bullet series



특허등록번호: 10-1729061
곤충들로 인한 문제점을 감소시킨 CCTV 시스템



VIDEO CLIP

Anti-bug camera concept



<https://youtu.be/-2ycDrWvTIE>

Field Testing



<https://youtu.be/BldlkVpYulo>

ABC-100

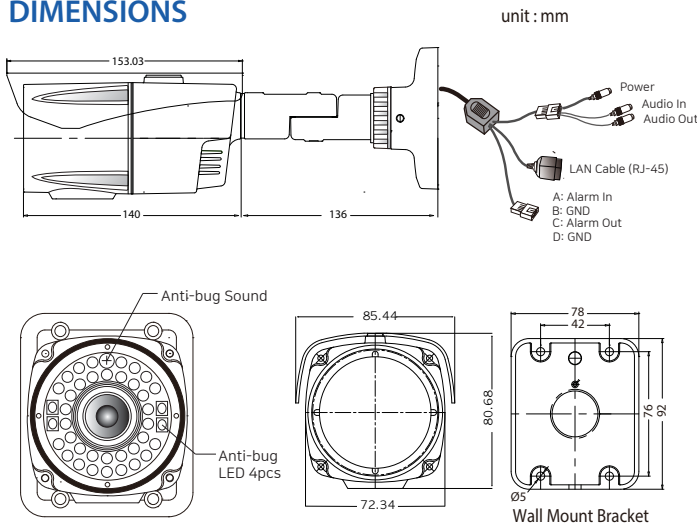
ANTI-BUG NETWORK
2Mega pixel 4x Optical Zoom - One push Autofocus camera



FEATURES

- Sony WDR IMX290 Starvis 2Mega Pixel Image sensor
- 2Motor 3Mega 2.8~12mm TDN DC Iris lens
- Triple Codec H.264/H.265/MJPEG)
- Triple Stream
- Support Onvif
- Support POE
- WDR (True Wide Dynamic Range)
- 3D DNR (Digital Noise Reduction)
- Sense-up (x6)
- True Day & Night
- Anti-Bug Sonic Sound (20Khz-50Khz)
- Anti-Bug LED 4pcs (Strobe Moethod)
- IR LED 30pcs (40m at night)
- External Control : Reset/Factory default (Joystick)
- Concealed Cable bracket
- 3-Axis Metal Housing
- IP67

DIMENSIONS



Specification

Type	2 Megapixel network IR Bullet camera
Image Sensor	SONY WDR Starvis 2Mega Pixel Image Sensor
Total pixel	1945 (H) × 1109(V) approx. 2.16M pixels
Effectiv pixel	1945(H) × 1097 (V) approx. 2.13M pixels
Scanning System	Progressive Scan
S/N ratio	50dB
Resolution	1920 x 1080 / 1280 x 1024 / 1280 x 960 / 1280 x 720 / 640 x 480 / 320 x 240
Min. illumination	0.0001 Lux (Sense up Auto x 4):LED OFF 0 Lux(25 Range):LED ON
Alarm input/output	Input:1,output:1
IR LED	30PCS. Anti-Bug LED 4pcs.
Lens	Vari-focal 2 motorized auto iris megapixel lens
DAY&NIGHT	Auto, Color, B/W
WDR	Step 1~ Step 5, Back light, Front light
DNR	1 ~ 63
Sense up	Auto (Level 1 ~ Level 29)
White Balance(AWB)	Auto, Indoor, Outdoor, Fluorescent
Edge Enhancement	Adjustable
Negative	Off/On
Pattern Generator	Off/On
EZOOM	X1 ~ X12 Selectable(Available with CMS only)

Network

OS	Embedded Linux
Network Interface	RJ45 10/100BaseT, Ethernet
Setting	By web browser
Network support	Leased Line, Cable Modem, Support Dynamic IP and Static IP. ADSL usable under Router
Supported Protocol	TCP/IP, UDP/IP, RTP, RTSP, RTCP, NTP, HTTP, DHCP,
Security	FTP, SMTP, DNS, DDNS, USER AUTHENTICATION
PC OS(Viewer)	WINDOWS 7,8,10
Web browser	IE 11.0 or higher
Audio Input / Output	Mic In, Line out
Audio compression	G.711 μ-law
Audio communication	Two-way
Compression	H.264, H.265, MJPEG
Resolution	1920 x 1080 / 1280 x 1024 / 1280 x 960 / 1280 x 720 / 640 x 480 / 320 x 240
Compression Rate	200:1(Typical)
Frame Rate	30fps (@1920 x1080)
Bit Rate	64 ~ 9000Kbps
Simultaneous Access	Max. 10 users
Video Recording	Recording in client PC with CMS or FTP Server upon Alarm Event
Motion Detection	Support
Privacy Zone	Support
OSD	Support
Alarm Input / Output	Input 1, Output 1 - Digital output, Open collector
Dynamic IP	Support
IP Router	Support
DDNS	Support

Others

Power Supply	Regulated 12V DC, PoE(Power over Ethernet)-IEEE802.3af Class 0
Current Consumption	Max. 750mA
Operation Temp.	-30 °C ~ 70 °C
Preservation Temp.	-20 °C ~ 60 °C
Weight	Approx. 1.45kg